

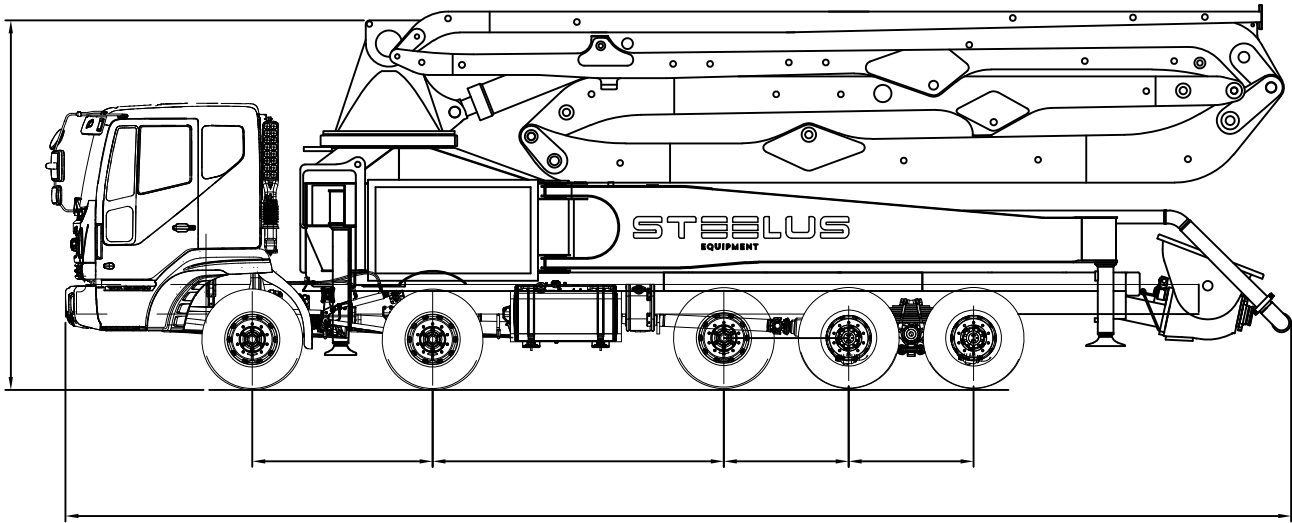
STEEELUS

EQUIPMENT

SPT48RZ5

TECHNICAL DATA

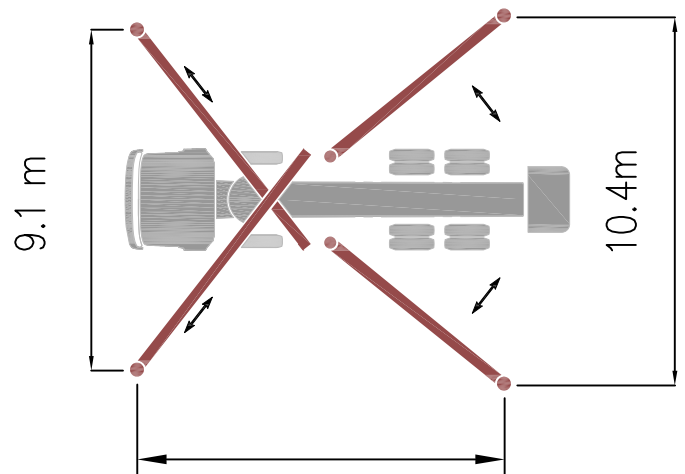
TRUCK-MOUNTED CONCRETE PUMP



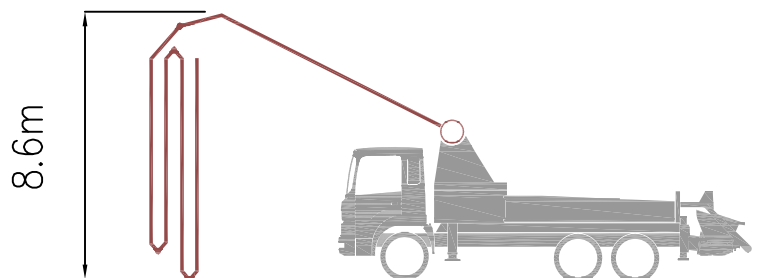
TECHNICAL SPECIFICATIONS

BOOM SPECIFICATIONS	Number of Booms	5	un
	Folding Type	RZ	type
	Vertical Reach	47.5	m
	Horizontal Reach	43.5	m
	Reach Depth	32.5	m
	Unfolding Height	8.6	m
	Delivery Line	125	mm
	End Hose Length	4	m
	Outrigger Spread - Front	9.1	m
Outrigger Spread - Rear	10.4	m	
PUMP SPECIFICATIONS	Maximum Output	Low-pressure	160 m ³ /h
		High-pressure	100 m ³ /h
	Concrete Pressure	Low-pressure	70 bar
		High-pressure	112 bar
	Stroke Per Min.	30	str
	Delivery Cylinder	230	Ø
	Stroke Length	2100	mm
	S-Valve	Ø200 x Ø180	mm
	Hydraulic System Pressure	350	bar
	Hydraulic System	Open	type
	Hydraulic Max. Pressure	320	bar
	Hydraulic Pump	Rexroth	
Hopper Capacity	600	liter	
Oil Tank Capacity	500	liter	
Max. Aggregate Size	40	mm	
Water Pump Pressure	20	bar	
Water Tank Capacity	500	liter	

Outrigger Diagram



Unfolding Height



STEELUS

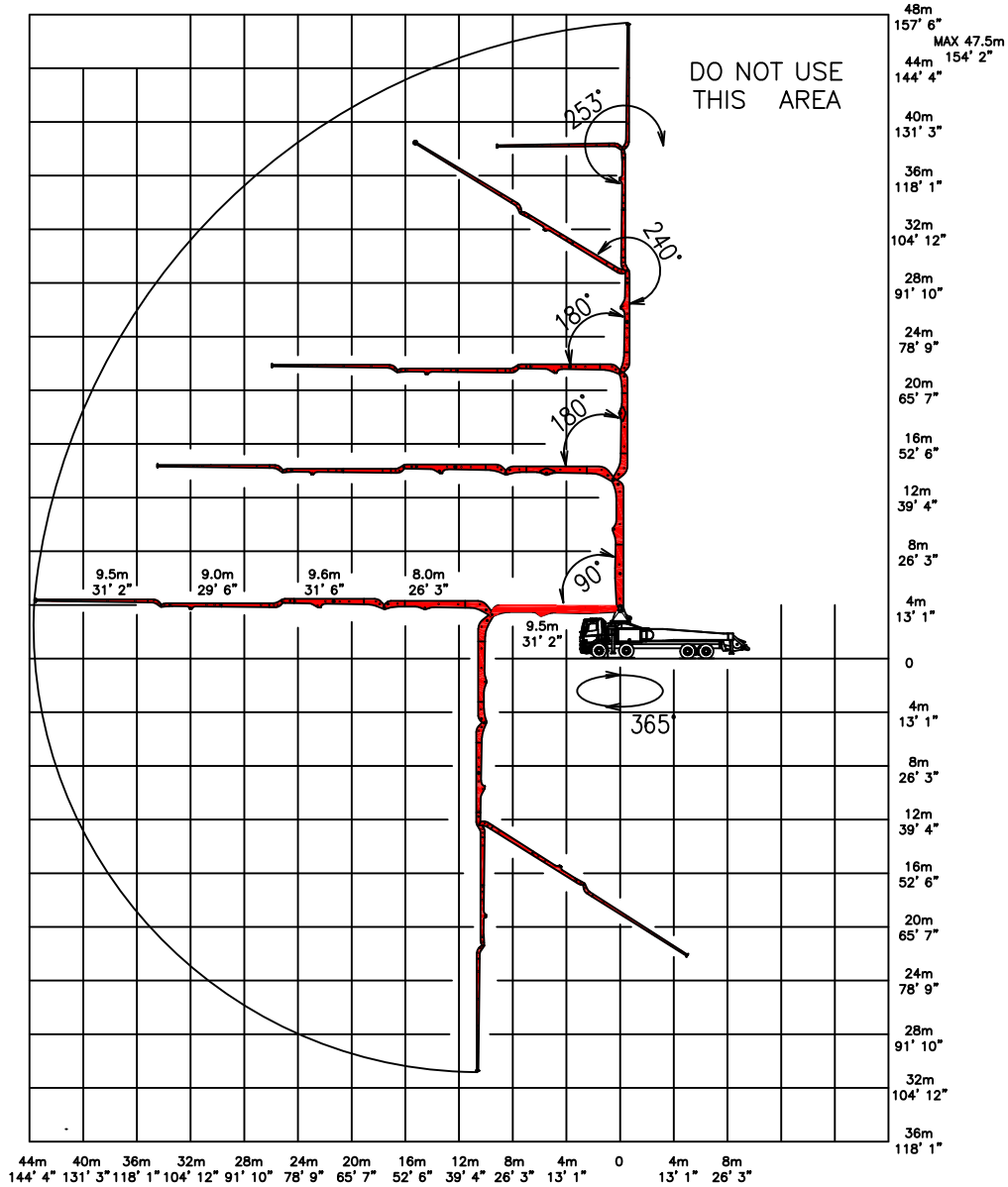
EQUIPMENT

SPT48RZ5

TECHNICAL DATA

TRUCK-MOUNTED CONCRETE PUMP

WORKING DIAGRAM



Supply Scope (STANDART)

- Twin Wall pipes & Elbows
- Hydraulic changing System
- Hard chromed Concrete Cylinder
- Tungsten Carbide Wear ring & Plate
- Aluminum Platform
- Aluminum Hopper Cover
- Auto Grease System for Hopper
- Water tank (600L)
- Water Pump (30bar)
- Auxiliary Fuel Tank on side Rear Outrigger
- Water Hose with Nozzle (15m)
- Working Light on Hopper & Column
- Convenient Electrical System
- Easy cleaning Hopper (600L)

OPTIONS

- OSS System (One Side Safety System)
- Safety device for Hopper
- Auto grease System for Boom & Turning Base
- Customized Color
- Electric Vibrator
- Working Light on Boom

